

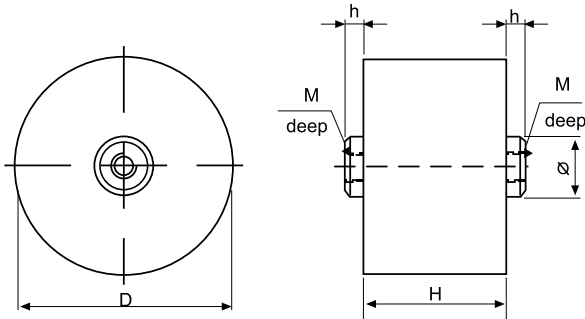


## 高压、高脉冲电流吸收电容器(轴向)

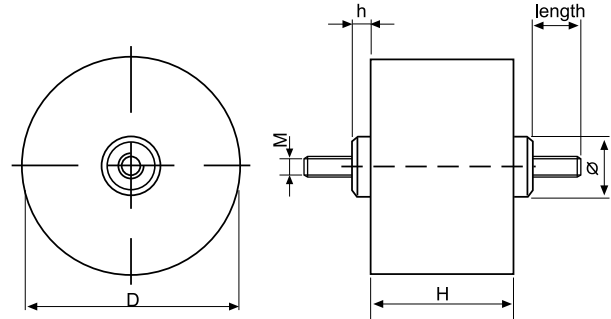
### Snubber capacitor for high voltage, high current pulses (Dry type, Axial type)

#### ■ 外形图 Outline Drawing

螺孔式 Thread hole type



螺栓式 Bolt type



#### ■ 特点

- 损耗小，内部温升小
- 等效串联电阻小，自感小，能承受较大的纹波电流
- 有自愈特性
- 阻燃塑料外壳封装，树脂填充

#### ■ 应用

- GTO中突波的吸收
- 高纹波电流直流滤波应用
- 高压脉冲，高频应用

#### ■ Features

- Low loss and small inherent temperature rise
- Low ESR, Low ESL, can withstand high r.m.s current
- Self-healing property
- Flam retardation plastic case, filled with resin

#### ■ Applications

- Damping of voltage spikes on GTO-Thyristors
- High ripple current D.C. filtering
- For high pulse and high frequency application

#### ■ 技术要求 Specifications

引用标准 Reference Standard	GB/T 17702, IEC 61071	
气候类别 Climatic Category	40/85/56	
工作温度范围 (外壳) Operating temperature range (case)	-40°C ~ 85°C	
电容量偏差 Capacitance Tolerance	J(±5%), K(±10%)	
耐电压 (两极间) Test voltage between terminals( $U_{T-T}$ )	1.5 $U_N$ (10s)	
耐电压 (极壳间) Test voltage between case and terminal( $U_{T-C}$ )	$U_N < 1500V_{dc}$ , 3000Vac(60s, 50Hz, 20°C ± 5°C) $U_N \geq 1500V_{dc}$ , ( $\sqrt{2} U_N + 1000$ )Vac(60s, 50Hz, 20°C ± 5°C)	
损耗角正切 Dissipation Factor	≤ 0.0005 (1kHz, 20°C)	
绝缘电阻 Insulation Resistance ( $IR \times C_N$ )	≥ 10 000s(20°C, 100Vdc, 1min)	
最大电极扭矩 Max. Torque of terminals	M6: 5Nm	M8: 6Nm
安装位置 Installation	任意方向 Any position	
工作寿命 Operation life time	≥ 100 000 hours at $U_N$ , $\Theta_{hs}=70^\circ C$	

## Snubber capacitor for high voltage, high current pulses (Dry type, Axial type)

### 尺寸 Dimensions(mm)

$C_N$ ( $\mu\text{F}$ )	$U_N$ (Vdc)	$U_{rms}$ (Vac)	dV/dt (V/ $\mu\text{s}$ )	$\hat{I}$ (A)	$\hat{I}_S$ (A)	$I_{max}$ 100kHz@70°C (A)	ESR @100kHz (m $\Omega$ )	$L_S$ (nH)	D $\pm 1.0$	H $\pm 1.0$	h $\pm 1.0$
10	700	500	360	3 600	10 800	38	1.5	25	50	57	5
4.0	1 300	700	500	2 000	6 000	70	1.5	20	90	52	5
0.5	1 700	650	750	375	1 125	14	3.2	18	40	45	3
1.0	1 700	650	750	750	2 250	23	1.6	18	50	45	3
2.0	1 700	650	750	1 500	4 500	36	1.0	18	70	45	3
3.0	1 700	650	750	2 250	6 750	48	0.7	18	80	48	3
2.0	3 000	280	300	600	1 800	35	1.8	50	90	67	6
0.01	4 000	800	8 000	80	240	3	39	25	30	37	7.5
5.0	4 500	500	200	1 000	3 500	36	2.7	100	90	216	5
0.5	4 500	1 500	500	250	750	42	1.2	50	90	56	3
0.015	7 000	3 550	2 000	30	90	6	30	100	30	98	5
0.55	7 000	2 500	400	270	710	41	1.8	50	90	116	7
0.25	7 000	4 000	1 000	250	750	31	2.9	100	90	180	5
0.35	7 000	4 000	1 000	350	1 050	38	2.1	100	90	180	5
0.5	7 000	4 000	500	250	750	45	1.9	100	90	180	5
0.5	7 000	3 000	200	100	300	19	5.6	100	60	115	5
0.01	7 500	2 500	2 000	20	60	4	50	100	30	98	3
0.33	8 000	5 000	1 000	330	990	39	2.0	50	90	129	6.5
0.1	9 000	4 500	1 500	150	450	26	5.0	100	90	149	6.5

© For inquiry of items out of above range or with special dimensions, please do not hesitate to contact with us for availability.

© 超出上述范围之需求，请先与我司联系，确认可否承制。

© For inquiry of items out of above range or with special dimensions, please do not hesitate to contact with us for availability.

© 上述规格仅供参考，实际规格以规格承认书为准。