



IGBT吸收电容器 (轴向) Snubber capacitor for IGBT (Axial-type)

外形图 Outline Drawing

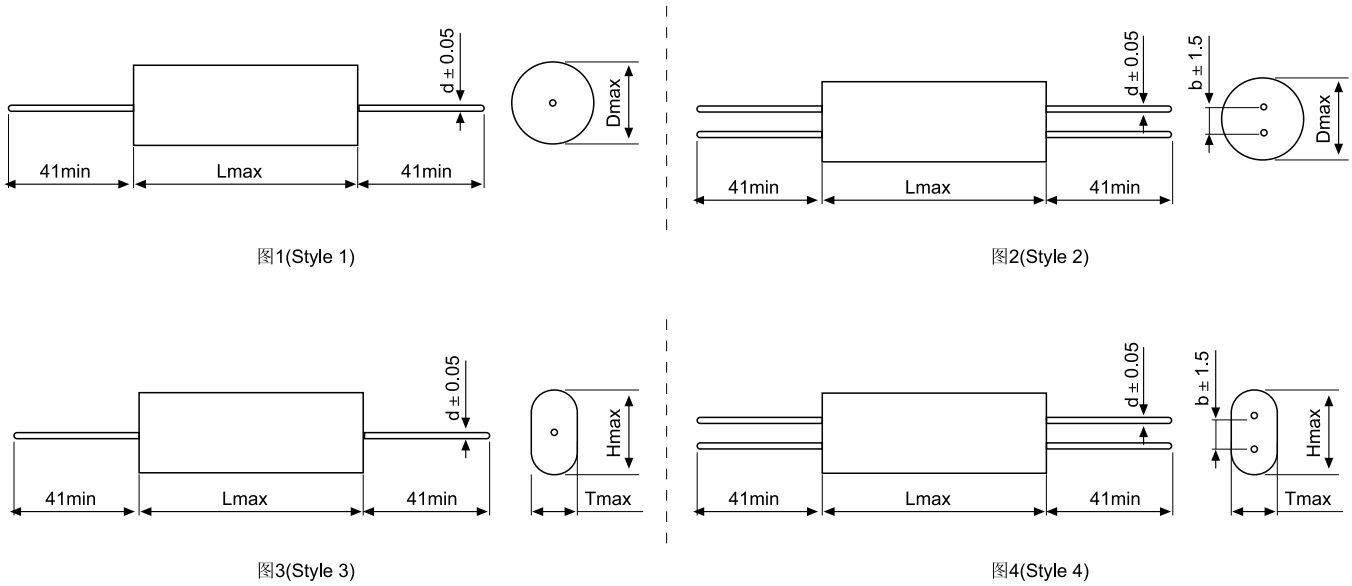


图1(Style 1)

图2(Style 2)

图3(Style 3)

图4(Style 4)

■ 特点

- 金属化聚丙烯膜, 轴向
- 自愈性能优异
- 损耗小, 内部温升小
- 外包聚酯胶带纸, 两端灌注阻燃性环氧树脂 (UL94 V-0)
- 广泛应用于各种高压、高频、高电流场合

■ Features

- Metallized polypropylene film, Axial-type
- Excellent self-healing property,
- Low loss and small inherent temperature rise
- Wrapped with polyester adhesive tape and ends filled with flame retardant epoxy resin(UL94 V-0)
- Widely used in high voltage, high frequency circuit

■ 技术要求 Specifications

引用标准 Reference Standard	GB/T 17702 (IEC 61071)	
气候类别 Climatic Category	40/105/56	
工作温度范围 (外壳) Operating temperature range (case)	-40°C ~ 105°C (+85°C to +105°C : decreasing factor 2.5% per °C for UN)	
额定电压 Rated Voltage	630Vdc ~ 3 000Vdc	
电容量范围 Capacitance Range	0.0068μF ~ 10.0μF	
电容量偏差 Capacitance Tolerance	J(± 5%), K(± 10%)	
耐电压 Test Voltage	1.5UN (10s)	
损耗角正切 Dissipation Factor	≤ 0.0005 (1kHz, 20°C)	
绝缘电阻 Insulation Resistance	≥ 100 000MΩ, CN ≤ 0.33μF	(20°C , 100Vdc, 1min)
	≥ 30 000s CN > 0.33μF	
预期寿命 Expected lifetime	≥ 100 000hrs @ UN, Θ _{hs} =70°C	

Snubber capacitor for IGBT (Axial-type)

尺寸 Dimensions(mm)

Rated Cap.	630Vdc/700Vdc					Rated Cap.	850Vdc/1000Vdc					Rated Cap.	1200Vdc				
	Axial		Axial flat				Axial		Axial flat				Axial		Axial flat		
	D ±1mm	L ±1mm	w ±1mm	H ±1mm	T ±1mm		D ±1mm	L ±1mm	w ±1mm	H ±1mm	T ±1mm		D ±1mm	L ±1mm	w ±1mm	H ±1mm	T ±1mm
0.15uF	10.5	29.0	29.0	14.0	8.0	0.068uF	10.0	29.0	29.0	12.0	6.0	0.047uF	10.0	29.0	29.0	13.0	7.0
0.22uF	12.0	29.0	29.0	16.0	9.5	0.1uF	11.0	29.0	29.0	13.0	7.0	0.068uF	11.0	29.0	29.0	15.0	8.5
0.33uF	14.0	29.0	29.0	18.0	12.0	0.15uF	12.5	29.0	29.0	15.0	9.0	0.1uF	13.0	29.0	29.0	16.5	10.0
0.47uF	16.0	29.0	29.0	20.5	14.0	0.22uF	15.0	29.0	29.0	17.0	10.0	0.15uF	15.0	29.0	29.0	19.0	15.0
0.68uF	17.0	34.0	34.0	21.0	15.0	0.33uF	15.5	34.0	34.0	18.0	11.0	0.22uF	15.0	34.0	34.0	20.0	15.0
1.0uF	20.0	34.0	34.0	25.5	17.5	0.33uF	15.0	39.0	39.0	16.0	10.5	0.47uF	21.5	34.0	34.0	27.0	19.0
1.5uF	24.0	34.0	34.0	30.0	22.0	0.47uF	17.0	39.0	39.0	20.0	12.0	0.68uF	22.0	39.0	39.0	27.0	20.0
2.0uF	25.0	39.0	39.0	30.0	22.0	0.68uF	20.0	39.0	39.0	15.0	22.0	1.0uF	26.0	39.0	39.0	33.0	23.0
2.5uF	27.0	39.0	39.0	33.0	25.0	1.0uF	23.0	39.0	39.0	26.0	18.0	1.2uF	28.5	39.0	39.0	36.5	25.0
3.0uF	29.0	39.0	39.0	36.0	27.0	1.5uF	25.0	44.0	44.0	29.0	20.0	1.5uF	29.0	44.0	44.0	37.0	26.0
3.3uF	31.0	39.0	39.0	38.0	28.0	2.0uF	29.0	44.0	44.0	33.0	23.0	2.0uF	30.0	54.0	54.0	38.0	27.0
4.0uF	32.0	44.0	44.0	39.0	29.0	2.5uF	29.0	54.0	54.0	32.0	23.0	2.2uF	31.0	54.0	54.0	39.0	28.0
4.7uF	31.0	54.0	54.0	37.0	28.0	3.0uF	31.0	54.0	54.0	35.0	25.0	2.5uF	33.0	54.0	54.0	42.0	29.0
6.8uF	36.0	54.0	54.0	44.0	33.0	3.3uF	31.0	58.0	58.0	37.0	26.0	3.0uF	36.0	54.0	54.0	46.0	32.0
8.2uF	40.0	54.0	54.0	48.0	37.0	4.0uF	34.0	58.0	58.0	40.0	29.0	3.3uF	35.0	58.0	58.0	44.0	31.0
10.0uF	41.0	58.0	58.0	49.0	38.0	4.7uF	37.0	58.0	58.0	41.0	30.0	4.0uF	38.0	58.0	58.0	48.0	35.0
Rated Cap.	1600Vdc					Rated Cap.	2000Vdc					Rated Cap.	3000Vdc				
	Axial		Axial flat				Axial		Axial flat				Axial		Axial flat		
	D ±1mm	L ±1mm	w ±1mm	H ±1mm	T ±1mm		D ±1mm	L ±1mm	w ±1mm	H ±1mm	T ±1mm		D ±1mm	L ±1mm	w ±1mm	H ±1mm	T ±1mm
0.033uF	11.0	29.0	29.0	13.0	7.0	0.022uF	10.0	29.0	29.0	12.5	6.5	0.0068uF	10.5	29.0	29.0	12.0	6.0
0.047uF	12.5	29.0	29.0	15.0	8.5	0.033uF	11.5	29.0	29.0	14.5	8.0	0.001uF	11.0	29.0	29.0	13.0	7.0
0.068uF	15.0	29.0	29.0	16.5	10.0	0.047uF	12.0	34.0	34.0	15.0	8.5	0.022uF	13.0	34.0	34.0	15.0	9.0
0.1uF	17.0	29.0	29.0	20.0	12.0	0.068uF	13.5	34.0	34.0	16.5	10.0	0.033uF	15.5	34.0	34.0	17.5	11.0
0.22uF	21.0	34.0	34.0	24.0	16.0	0.1uF	16.0	34.0	34.0	20.0	12.0	0.047uF	17.0	34.0	34.0	20.0	13.0
0.33uF	22.5	39.0	39.0	25.5	18.0	0.22uF	22.0	34.0	34.0	26.5	18.0	0.068uF	20.0	34.0	34.0	23.5	15.5
0.47uF	26.0	39.0	39.0	30.0	21.0	0.33uF	24.0	39.0	39.0	28.0	21.0	0.1uF	22.0	39.0	34.0	25.0	17.0
0.68uF	31.0	39.0	39.0	35.0	25.0	0.47uF	28.0	39.0	39.0	33.0	24.0	0.22uF	31.0	39.0	39.0	35.0	25.0
1.0uF	34.5	44.0	44.0	43.0	24.0	0.68uF	31.0	44.0	44.0	38.0	25.0	0.33uF	30.0	54.0	54.0	28.0	20.0
1.5uF	42.0	44.0	44.0	49.0	31.0	1.0uF	31.0	54.0	54.0	38.0	27.0	0.47uF	33.0	58.0	58.0	37.0	26.0
2.0uF	41.0	54.0	54.0	47.0	33.0	1.2uF	34.0	54.0	54.0	43.0	29.0	0.56uF	36.0	58.0	58.0	41.0	28.0
2.2uF	43.0	54.0	54.0	48.0	34.0	1.3uF	36.0	54.0	54.0	43.0	30.0						
2.5uF	43.0	58.0	58.0	51.0	33.0	1.5uF	38.0	58.0	58.0	45.0	30.0						

© For inquiry of items out of above range or with special dimensions, please do not hesitate to contact with us for availability.

©超出上述范围之需求，请先与我司联系，确认可否承制。

© For inquiry of items out of above range or with special dimensions, please do not hesitate to contact with us for availability.

©上述规格仅供参考，实际规格以规格承认书为准。